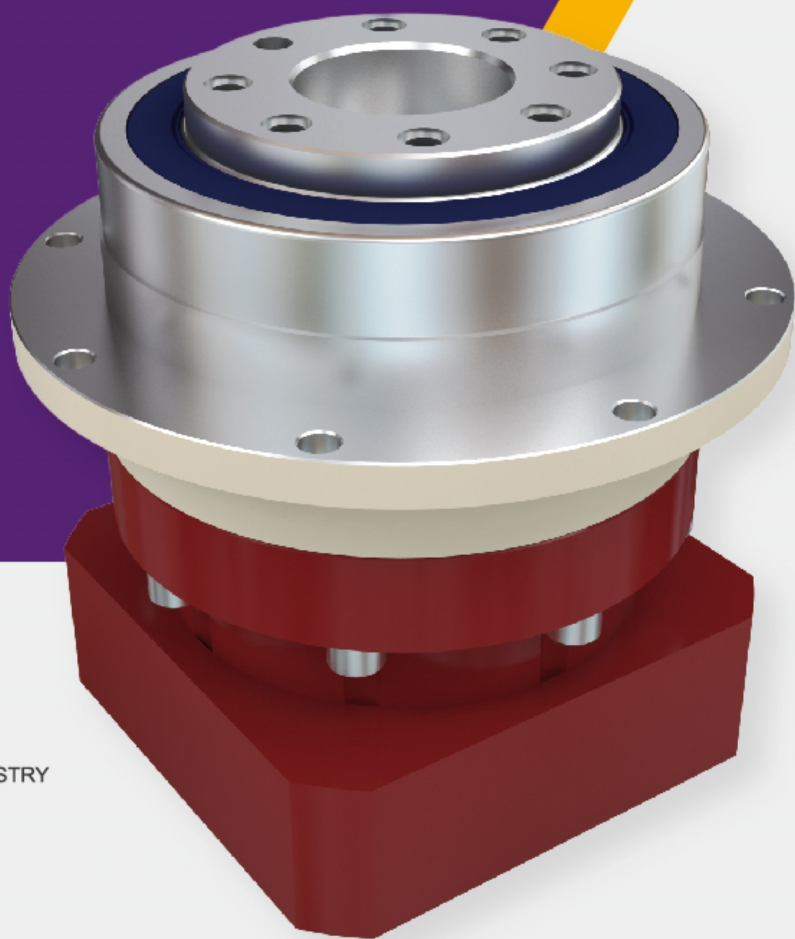


BORN FOR
PRECISION
為精密而生



傳動裝置系統供應商
樹立減速機行業新標桿

TRANSMISSION SYSTEM SUPPLIERS
SET A NEW BENCHMARK FOR THE REDUCER INDUSTRY

東莞市精杰機電有限公司
DONGGUAN JINGJIE ELECTROMECHANICAL CO., LTD



FKD系列—高度灵活

FKD SERIES—HIGHLY FLEXIBLE

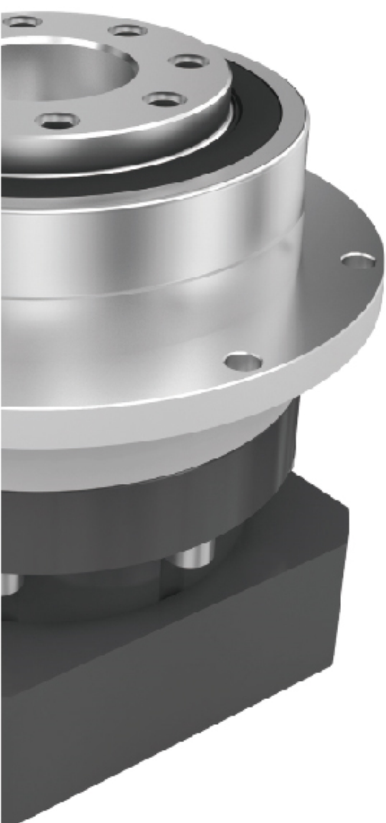


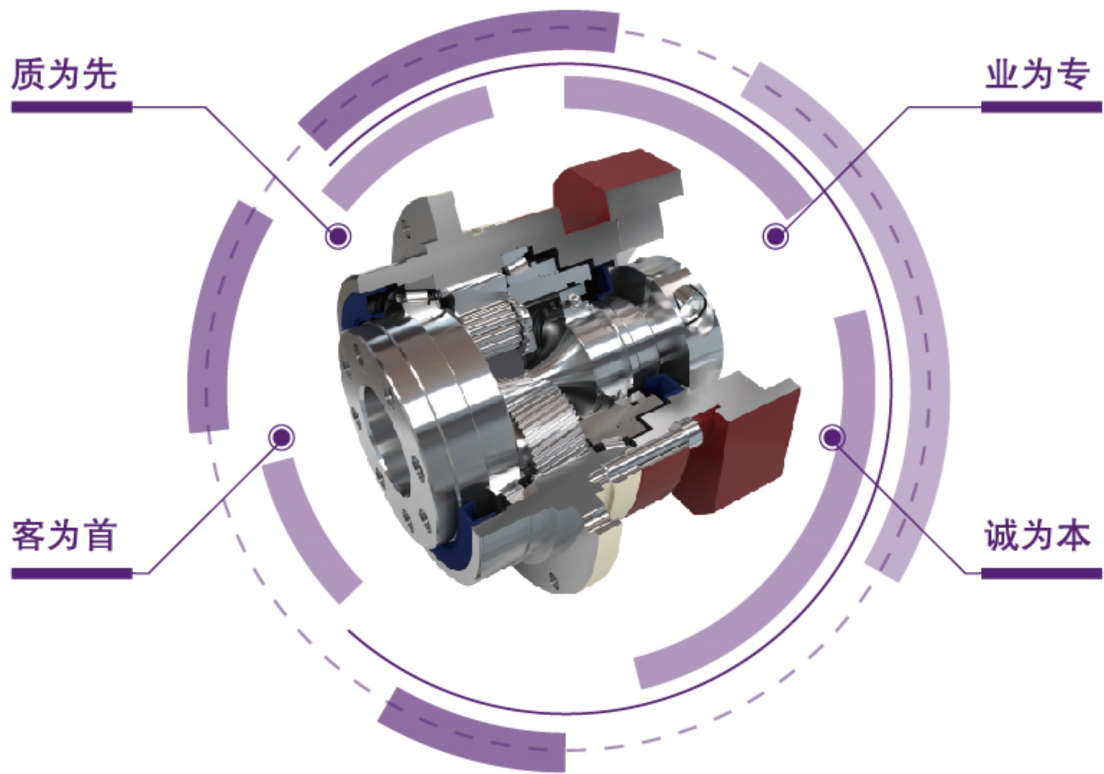
FKD系列能够在设计、装配和应用上提供最大的灵活性。其突出特点是功率密度高且回程间隙低，特别适合需要高效率和扭转刚度的高精度应用。

The FKD series can provide maximum flexibility in design, assembly and application. Its outstanding characteristics are high power density and low backlash clearance, especially suitable for high-precision applications requiring high efficiency and torsional rigidity.

技术参数* TECHNICAL PARAMETERS

回程间隙 Return clearance	arcmin	1~7
速比 Speed ratio	i	4~100
额定输出力矩 Rated output torque	Nm	14~2000
使用温度°C Using temperature°C	°C	-10~90
噪音 The noise	dB(A)	56~70
工作效率 The work efficiency	%	97
工作寿命 The working life	h	20000

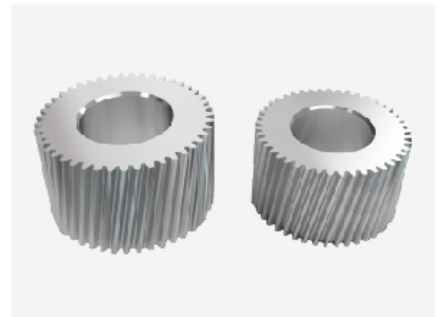




FKD系列—高度灵活
FKD series-highly flexible



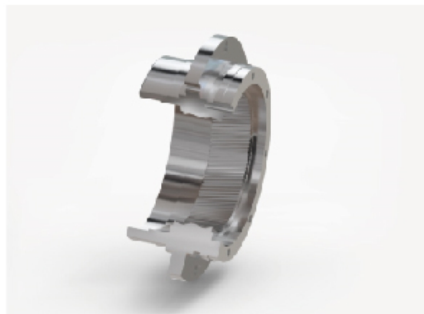
将太阳齿轮输出轴承直接设臂架内, 确保精度和同心度
The sun gear output bearing is directly set inside the arm frame to ensure accuracy and concentricity



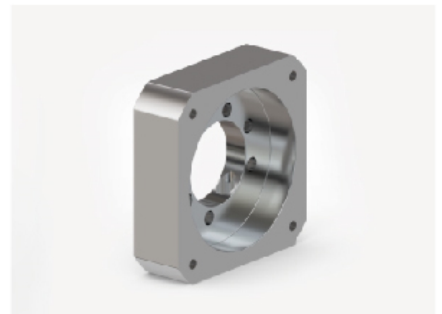
齿面宽, 参数做大, 实现高强度
The tooth surface is wide, the parameters are larger, and the high strength is achieved



太阳齿一体式设计, 确保同心度和扭转刚性
Integrated solar tooth design ensures concentricity and torsional rigidity



先进表面处理耐磨, 耐刮, 耐腐蚀
Advanced surface treatment wear-resistant, scratch-resistant, corrosion-resistant



一体化连接板设计, 与各种伺服, 马达完美配合
Integrated connection board design, perfect coordination with various servo and motors

减速机性能资料 REDUCER PERFORMANCE DATA

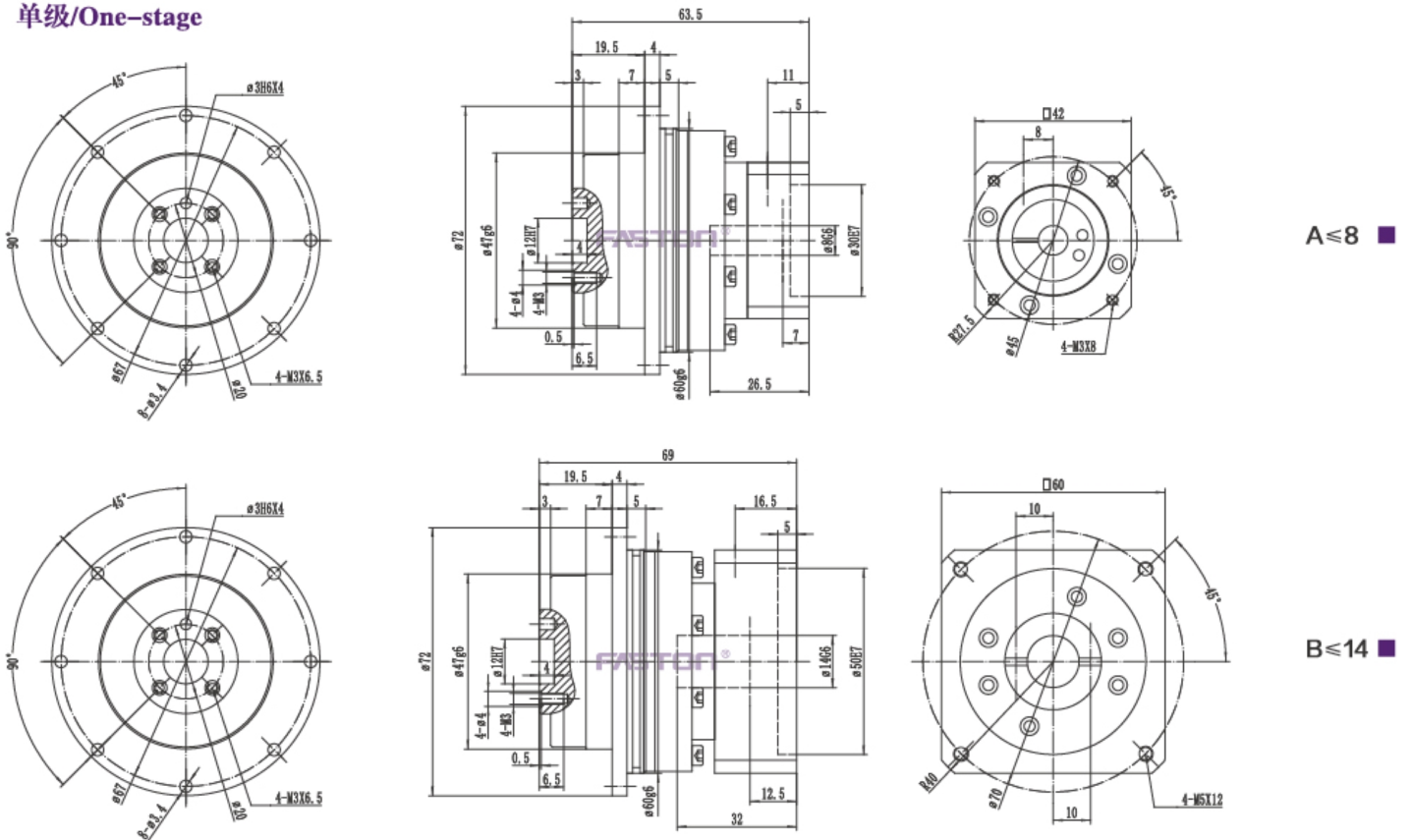
FKD047			单级/One-stage							双级/Two-stage								
速比 ⁽¹⁾ Speed ratio	i		4	5	6	7	8	9	10	16	20	25	35	40	50	70	100	
额定输出力矩(T_{2N}) Rated output torque	T_{2N}	Nm	19	22	20	19	17	14	14	19	19	22	19	17	22	19	14	
紧急制动力矩 Emergency braking torque (在减速机使用寿命内允许1000次) (1000 times during the working life of the reducer)	T_{2NOT}	Nm	3倍额定输出力矩/3 Times rated output torque															
额定输入转速(n_{1N}) Rated input speed (T_{2N} , 20°C环境温度) (T_{2N} , 20°C ambient temperature)	n_{1N}	rpm	5000															
最大输入转速 Maximum input speed	n_{1max}	rpm	10000															
空载力矩($n_1=3000$ rpm, 20°C环境温度) No-load torque ($n_1=3000$ RPM, 20°C ambient temperature)	T_{012}	Nm	0.4	0.4	0.3	0.3	0.2	0.2	0.2	0.3	0.3	0.3	0.3	0.3	0.2	0.2	0.1	
回程间隙PS Backlash PS	j_t	Arcmin	≤ 1							≤ 2								
回程间隙P0 Backlash P0	j_t	Arcmin	≤ 2							≤ 3								
回程间隙P1 Backlash P1	j_t	Arcmin	≤ 3							≤ 5								
回程间隙P2 Backlash P2	j_t	Arcmin	≤ 5							≤ 7								
扭转刚度 Torsional stiffness	C_{t21}	Nm/Arcmin	3															
最大轴向力 ⁽²⁾ Maximum axial force	F_{2AMax}	N	990															
最大倾侧力矩 Maximum bending torque	F_{2RMax}	Nm	43															
工作效率 Work efficiency	η	%	97							94								
工作寿命 ⁽³⁾ Service life	L_n	h	20000															
噪音($i=10$ 和 $n_1=3000$ rpm, 空载) Noise($i=10$ and $n_1=3000$ rpm, no load)	L_{PA}	DB(A)	≤ 56															
重量 Weight	m	Kg	0.6							0.8								
安装方向 Installation direction			任意方向/Any direction															
使用温度 ⁽⁴⁾ Operating temperature	$^{\circ}C$		-10~90															
润滑方式 Lubrication method			终生润滑/Lifetime lubrication															
防护等级 Protection level			IP65															
转动惯量 Moment of inertia 按减速机输入直径(mm) Input diameter based on the reducer (mm)	8	J_1	Kgcm ²	0.06	0.05	0.05	0.04	0.03	0.03	0.03	0.03	0.03	0.03	0.03	0.03	0.02	0.02	0.02
	11	J_1	Kgcm ²	0.13	0.12	0.12	0.12	0.11	0.07	0.06	0.1	0.08	0.08	0.07	0.07	0.06	0.06	0.05
	14	J_1	Kgcm ²	0.16	0.15	0.14	0.13	0.12	0.09	0.08	0.12	0.11	0.1	0.1	0.09	0.09	0.07	0.06

1. 可选其他减速比
2. 输出轴中心点
3. 连续运转时, 使用寿命为10000h
4. 对温度有特殊要求请与法斯頓联系

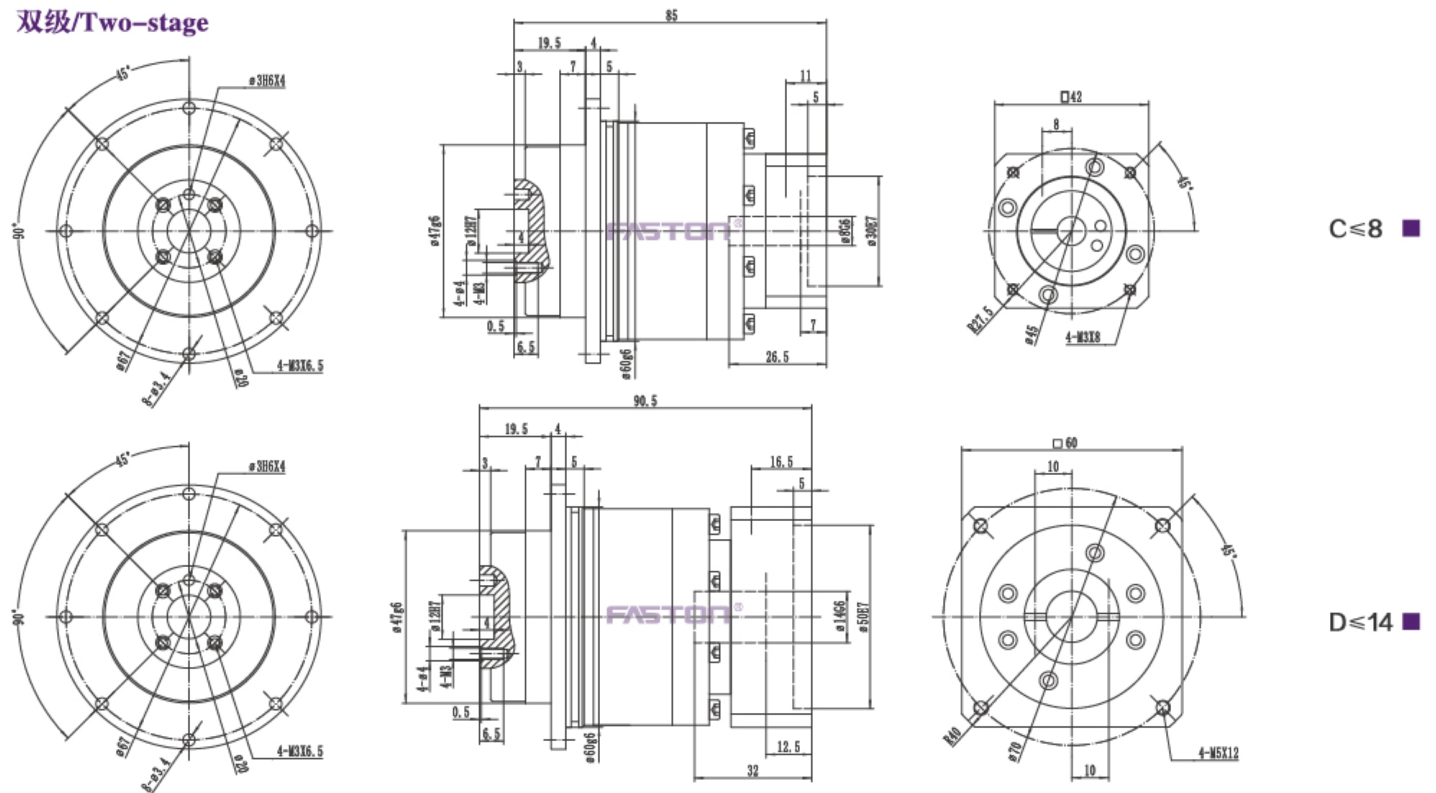
1. Optional other ratio
2. Output shaft center point
3. Service life of 10000h in continuous operation
4. For special requirements on temperature, please contact FASTON

减速机性能资料 REDUCER PERFORMANCE DATA

单级/One-stage



双级/Two-stage



- (1) 请参照马达轴径尺寸
 - (2) 马达轴最长长度, 如有特殊的马达轴尺寸, 请与法斯顿联络
 - (3) 减速机输入端尺寸, 依马达的法兰面而定
- *如无适合的尺寸, 请与法斯顿联系

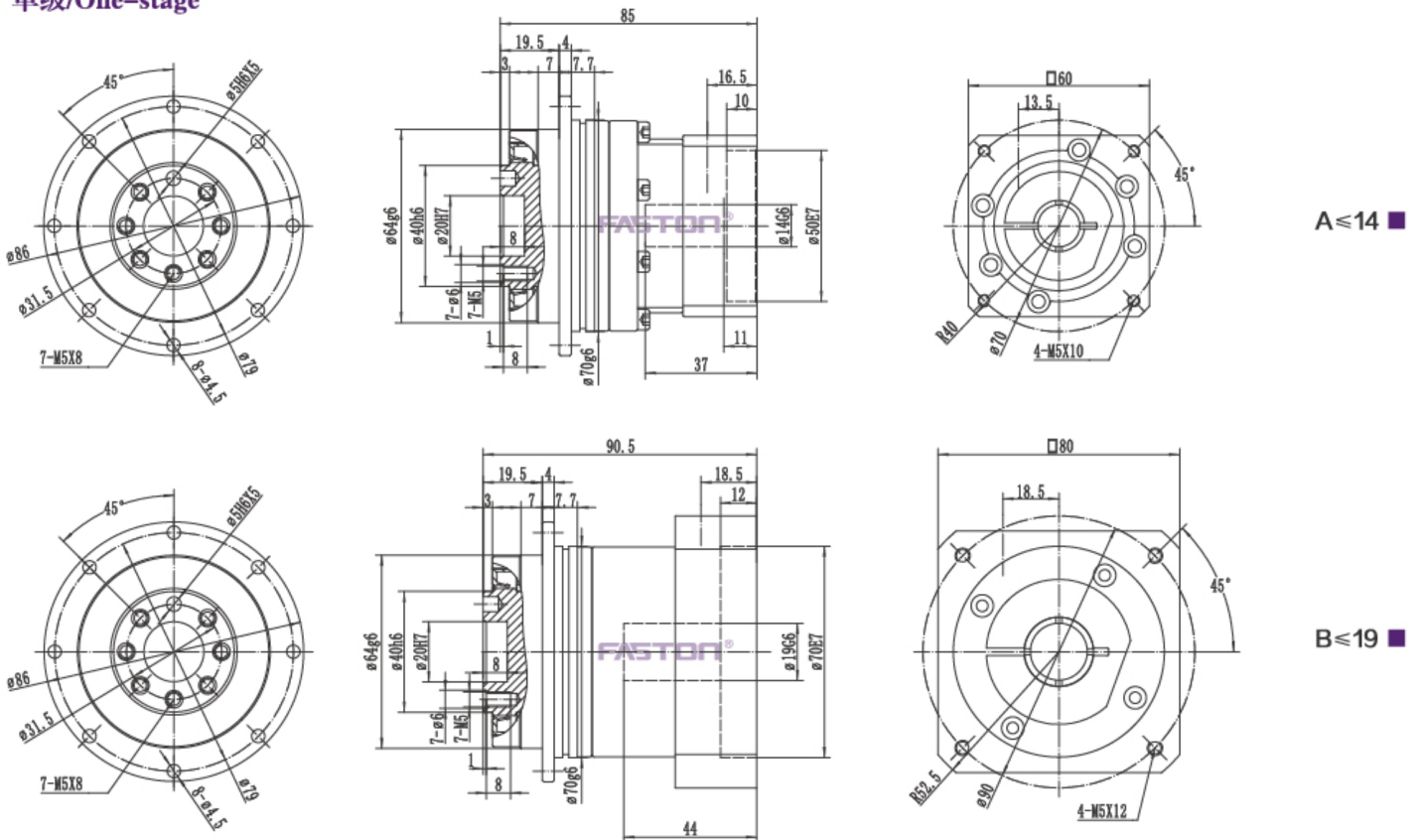
- (1) Please refer to the motor shaft diameter
 - (2) Motor shaft length, for special motor shaft size, please contact FASTON
 - (3) Reducer input size, depending on the flange surface of the motor
- *If no suitable size available, please contact FASTON

FKD064			单级/One-stage							双级/Two-stage							
速比 ⁽¹⁾ Speed ratio	i		4	5	6	7	8	9	10	16	20	25	35	40	50	70	100
额定输出力矩(n_{1N}) Rated output torque	T_{2N}	Nm	50	60	55	50	45	40	40	50	50	60	50	50	55	50	40
紧急制动力矩 Emergency braking torque (在减速机工作寿命内允许1000次) (1000 times during the working life of the reducer)	T_{2NOT}	Nm	3倍额定输出力矩/3 Times rated output torque														
额定输入转速(T_{2N} , 20°C环境温度) Rated input speed (T_{2N} , 20 °C ambient temperature)	n_{1N}	rpm	4000														
最大输入转速 Maximum input speed	n_{1max}	rpm	8000														
空载力矩($n_1=3000rpm$, 20°C环境温度) No-load torque ($n_1=3000 RPM$, 20 °C ambient temperature)	T_{012}	Nm	0.8	0.8	0.7	0.6	0.5	0.5	0.4	0.6	0.55	0.5	0.5	0.4	0.4	0.35	0.3
回程间隙PS Backlash PS	j_t	Arcmin	≤ 1							≤ 2							
回程间隙P0 Backlash P0	j_t	Arcmin	≤ 2							≤ 3							
回程间隙P1 Backlash P1	j_t	Arcmin	≤ 3							≤ 5							
回程间隙P2 Backlash P2	j_t	Arcmin	≤ 5							≤ 7							
扭转刚度 Torsional stiffness	C_{t21}	Nm/Arcmin	4.5														
最大轴向力 ⁽²⁾ Maximum axial force	F_{2AMax}	N	1050														
最大倾侧力矩 Maximum bending torque	F_{2RMax}	Nm	125														
工作效率 Work efficiency	η	%	97							94							
工作寿命 ⁽³⁾ Service life	L_h	h	20000														
噪音($i=10$ 和 $n_1=3000rpm$, 空载) Noise($i=10$ and $n_1=3000rpm$, no load)	L_{PA}	DB(A)	≤ 58														
重量 Weight	m	Kg	1.3							1.8							
安装方向 Installation direction			任意方向/Any direction														
使用温度 ⁽⁴⁾ Operating temperature	$^{\circ}C$		-10-90														
润滑方式 Lubrication method			终生润滑/Lifetime lubrication														
防护等级 Protection level			IP65														
转动惯量 Moment of inertia 按减速机输入直径(mm) Input diameter based on the reducer (mm)	11	J_1	Kgcm ²	0.2	0.2	0.15	0.13	0.12	0.1	0.1	0.1	0.09	0.08	0.08	0.08	0.08	0.08
	14	J_1	Kgcm ²	0.25	0.25	0.22	0.18	0.17	0.15	0.14	0.17	0.17	0.16	0.16	0.16	0.16	0.15
	19	J_1	Kgcm ²	0.6	0.55	0.55	0.52	0.5	0.5	0.5	0.18	0.16	0.15	0.15	0.15	0.15	0.14

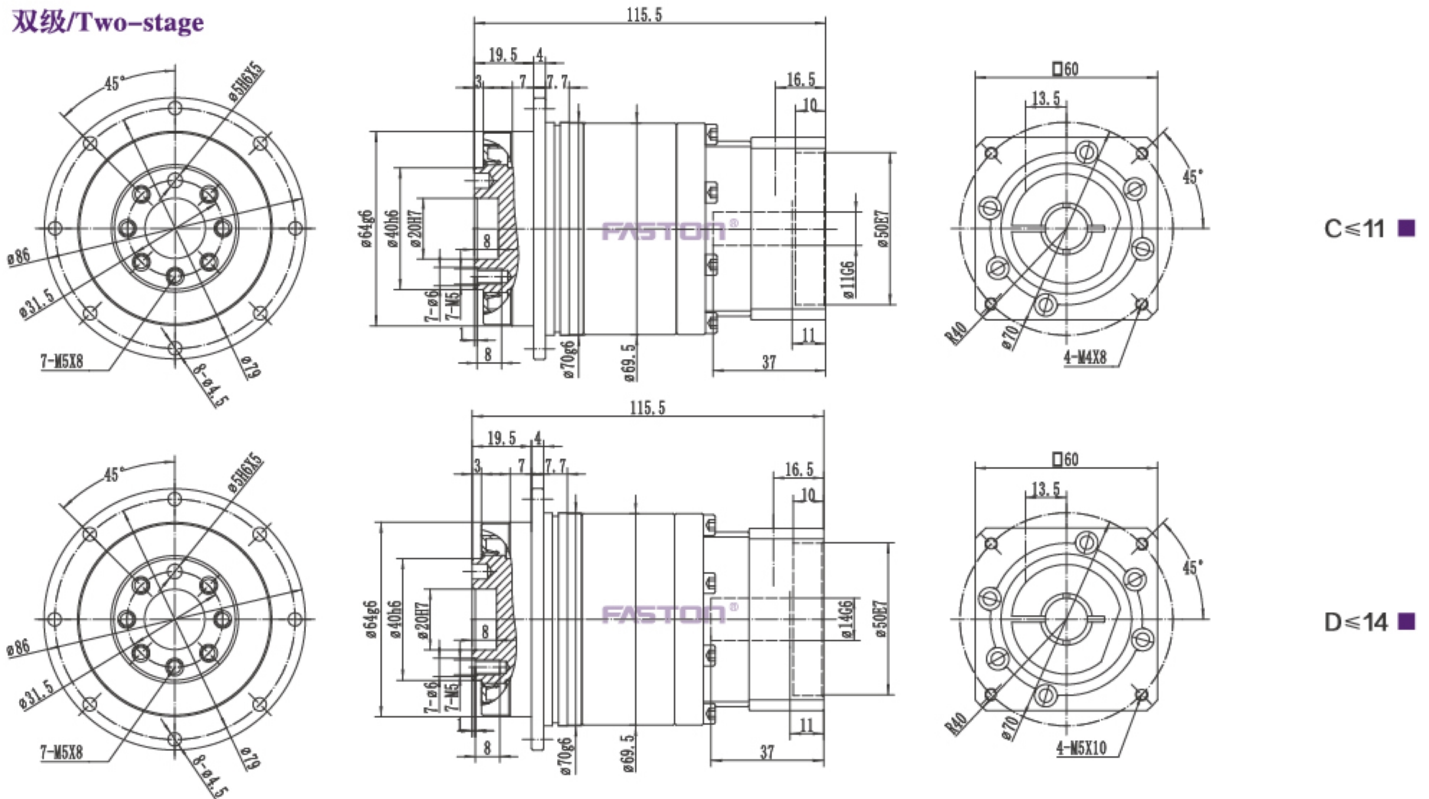
1. 可选其他减速比
2. 输出轴中心点
3. 连续运转时, 使用寿命为10000h
4. 对温度有特殊要求请与法斯特联系

1. Optional other ratio
2. Output shaft center point
3. Service life of 10000h in continuous operation
4. For special requirements on temperature, please contact FASTON

单级/One-stage



双级/Two-stage



- (1) 请参照马达轴径尺寸
 - (2) 马达轴最长长度, 如有特殊的马达轴尺寸, 请与法斯頓联系
 - (3) 减速机输入端尺寸, 依马达的法兰面而定
- *如无适合的尺寸, 请与法斯頓联系

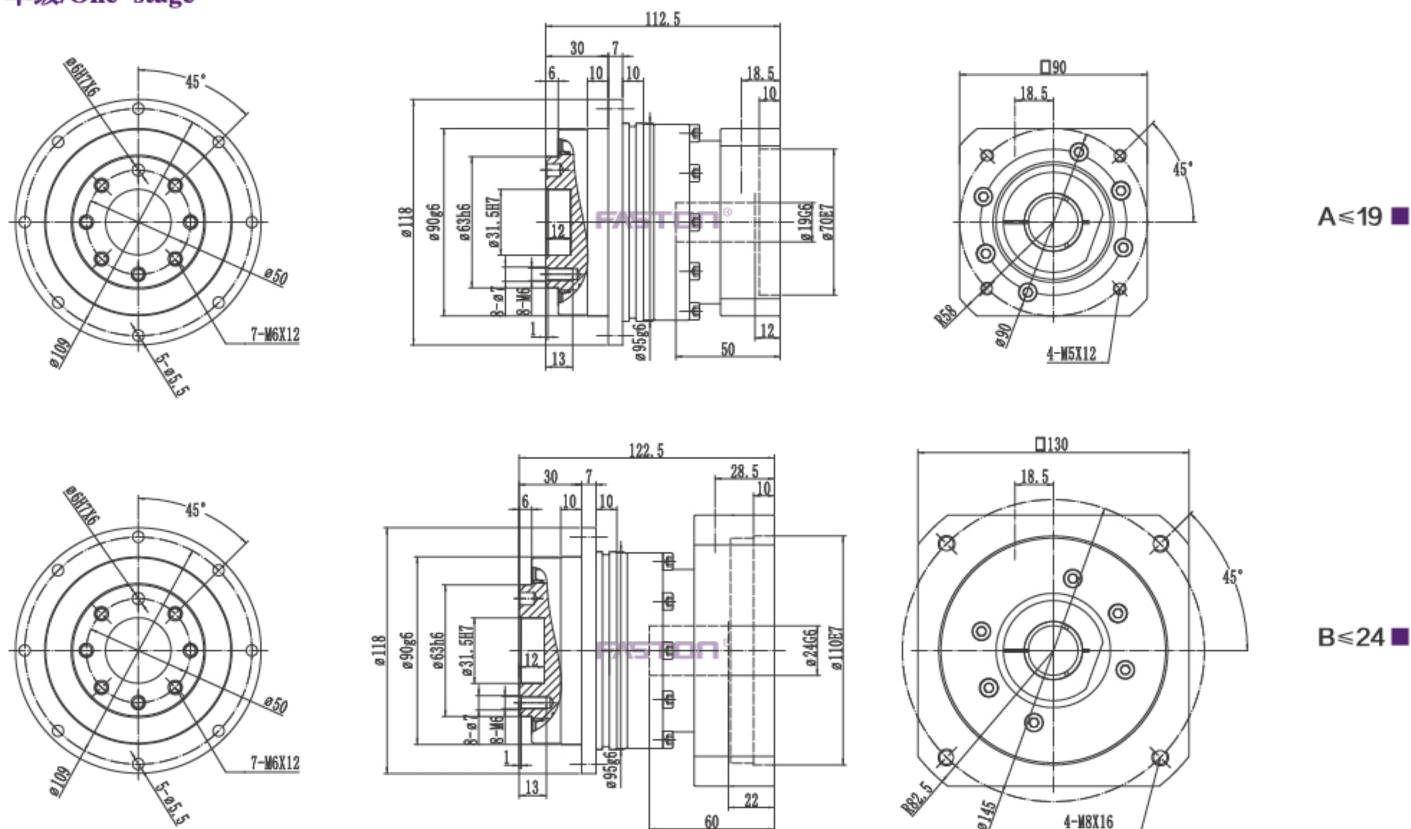
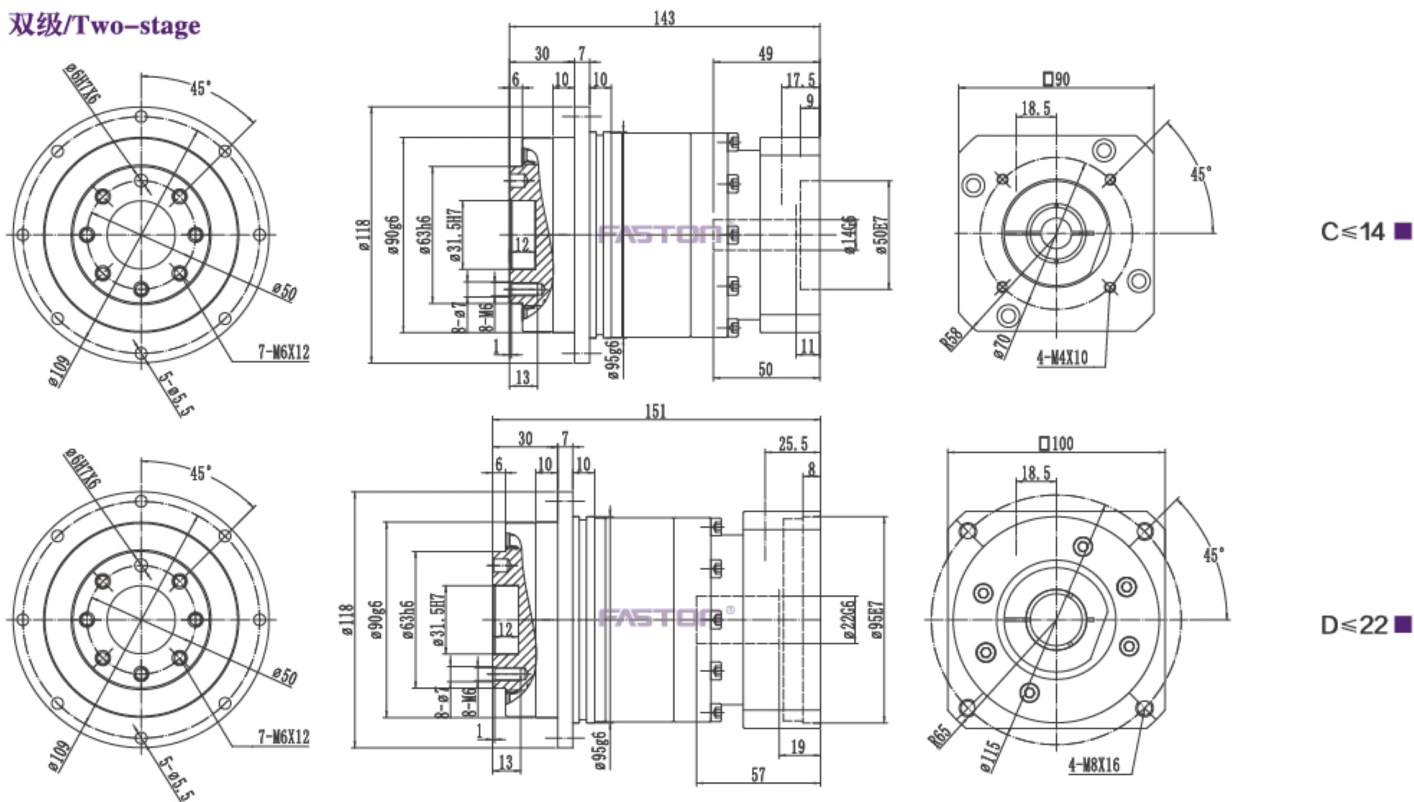
- (1) Please refer to the motor shaft diameter
 - (2) Motor shaft length, for special motor shaft size, please contact FASTON
 - (3) Reducer input size, depending on the flange surface of the motor
- *If no suitable size available, please contact FASTON

减速机性能资料 REDUCER PERFORMANCE DATA

FKD090			单级/One-stage							双级/Two-stage								
速比 ⁽¹⁾ Speed ratio	i		4	5	6	7	8	9	10	16	20	25	35	40	50	70	100	
额定输出力矩(n_{1N}) Rated output torque	T_{2N}	Nm	140	160	140	140	120	100	100	140	140	160	140	140	160	120	100	
紧急制动力矩 Emergency braking torque (在减速机工作寿命内允许1000次) (1000 times during the working life of the reducer)	T_{2NOT}	Nm	3倍额定输出力矩/3 Times rated output torque															
额定输入转速 (T_{2N} , 20°C环境温度) Rated input speed (T_{2N} , 20 °C ambient temperature)	n_{1N}	rpm	3000															
最大输入转速 Maximum input speed	n_{1max}	rpm	6000															
空载力矩($n_l=3000rpm$, 20°C环境温度) No-load torque ($n_l=3000 RPM$, 20°C ambient temperature)	T_{012}	Nm	1.7	1.6	1.5	1.4	1.1	0.8	0.7	0.8	0.7	0.6	0.5	0.5	0.4	0.3	0.3	
回程间隙PS Backlash PS	j_t	Arcmin	≤ 1							≤ 2								
回程间隙P0 Backlash P0	j_t	Arcmin	≤ 2							≤ 3								
回程间隙P1 Backlash P1	j_t	Arcmin	≤ 3							≤ 5								
回程间隙P2 Backlash P2	j_t	Arcmin	≤ 5							≤ 7								
扭转刚度 Torsional stiffness	C_{t21}	Nm/Arcmin	14															
最大轴向力 ⁽²⁾ Maximum axial force	F_{2AMax}	N	2850															
最大倾侧力矩 Maximum bending torque	F_{2RMax}	Nm	235															
工作效率 Work efficiency	η	%	97							94								
工作寿命 ⁽³⁾ Service life	L_h	h	20000															
噪音($i=10$ 和 $n_l=3000rpm$, 空载) Noise($i=10$ and $n_l=3000rpm$, no load)	L_{PA}	DB(A)	≤ 60															
重量 Weight	m	Kg	3.9							4.6								
安装方向 Installation direction			任意方向/Any direction															
使用温度 ⁽⁴⁾ Operating temperature	$^{\circ}C$		-10~90															
润滑方式 Lubrication method			终生润滑/Lifetime lubrication															
防护等级 Protection level			IP65															
转动惯量 Moment of inertia 按减速机输入直径(mm) Input diameter based on the reducer (mm)	19	J_1	Kgcm ²	1.3	1.2	1.1	0.9	0.8	0.7	0.6	0.23	0.21	0.2	0.18	0.18	0.18	0.16	0.16
	22	J_1	Kgcm ²	2.1	2	2	1.8	1.7	1.5	1.5	0.7	0.7	0.7	0.7	0.7	0.6	0.5	0.5
	24	J_1	Kgcm ²	2.4	2.3	2.3	2.2	2.2	2.1	2.1	0.8	0.07	0.7	0.7	0.7	0.65	0.6	0.6

1. 可选其他减速比
2. 输出轴中心点
3. 连续运转时, 使用寿命为10000h
4. 对温度有特殊要求请与法斯頓联系

1. Optional other ratio
2. Output shaft center point
3. Service life of 10000h in continuous operation
4. For special requirements on temperature, please contact FASTON

单级/One-stage

双级/Two-stage


(1) 请参照马达轴径尺寸

(2) 马达轴最长长度, 如有特殊的马达轴尺寸, 请与法斯頓联络

(3) 减速机输入端尺寸, 依马达的法兰面而定

*如无适合的尺寸, 请与法斯頓联系

(1) Please refer to the motor shaft diameter

(2) Motor shaft length, for special motor shaft size, please contact FASTON

(3) Reducer input size, depending on the flange surface of the motor

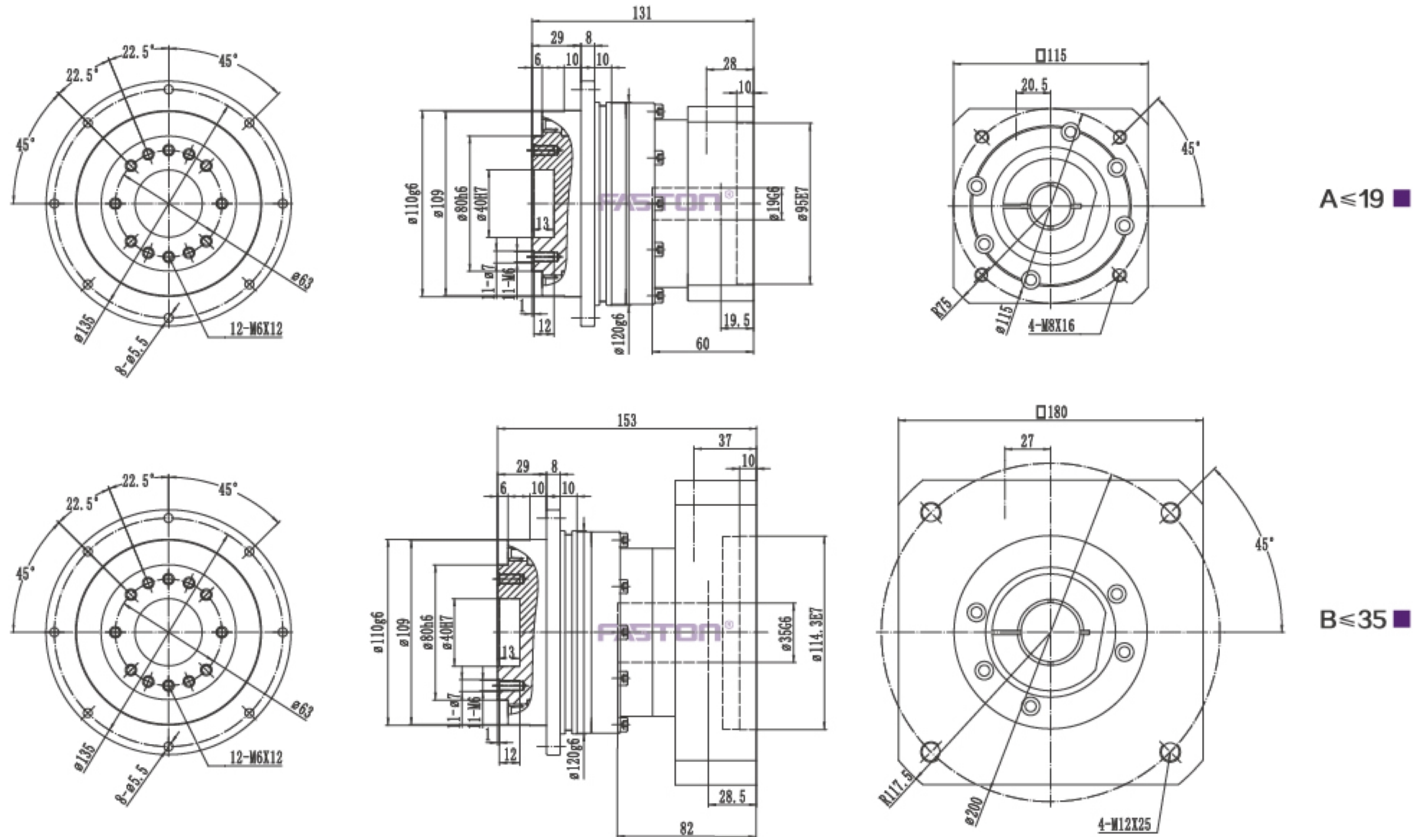
*If no suitable size available, please contact FASTON

FKD110			单级/One-stage							双级/Two-stage								
速比 ⁽¹⁾ Speed ratio	i		4	5	6	7	8	9	10	16	20	25	35	40	50	70	100	
额定输出力矩 (n _{1N}) Rated output torque	T _{2N}	Nm	290	330	300	300	260	230	230	290	290	330	300	330	330	300	230	
紧急制动力矩 (在减速机工作寿命内允许1000次) (1000 times during the working life of the reducer)	T _{2NOT}	Nm	3倍额定输出力矩/3 Times rated output torque															
额定输入转速 (T _{2n} , 20°C环境温度) Rated input speed (T _{2n} , 20°C ambient temperature)	n _{1N}	rpm	3000															
最大输入转速 Maximum input speed	n _{1max}	rpm	6000															
空载力矩 (n _l =3000rpm, 20°C环境温度) No-load torque (n _l =3000 RPM, 20°C ambient temperature)	T ₀₁₂	Nm	3	2.7	2.5	2	1.8	1.6	1.5	1.6	1.6	1.5	1.2	1	0.8	0.7	0.6	
回程间隙PS Backlash PS	j _t	Arcmin	≤1							≤2								
回程间隙P0 Backlash P0	j _t	Arcmin	≤2							≤3								
回程间隙P1 Backlash P1	j _t	Arcmin	≤3							≤5								
回程间隙P2 Backlash P2	j _t	Arcmin	≤5							≤7								
扭转刚度 Torsional stiffness	C ₁₂₁	Nm/Arcmin	25															
最大轴向力 ⁽²⁾ Maximum axial force	F _{2AMax}	N	2990															
最大倾侧力矩 Maximum bending torque	F _{2RMax}	Nm	430															
工作效率 Work efficiency	η	%	97							94								
工作寿命 ⁽³⁾ Service life	L _h	h	20000															
噪音 (i=10和n _l =3000rpm, 空载) Noise (i=10 and n _l =3000rpm, no load)	L _{PA}	DB(A)	≤63															
重量 Weight	m	Kg	8.7							10								
安装方向 Installation direction			任意方向/Any direction															
使用温度 ⁽⁴⁾ Operating temperature	°C		-10~90															
润滑方式 Lubrication method			终生润滑/Lifetime lubrication															
防护等级 Protection level			IP65															
转动惯量 Moment of inertia 按减速机输入直径 (mm) Input diameter based on the reducer (mm)	19	J ₁	Kgcm ²	3	2.6	2.2	2	1.8	1.6	1.5	0.7	0.7	0.7	0.7	0.7	0.6	0.5	0.5
	24	J ₁	Kgcm ²	4.6	4.5	4	3.5	3	2.7	2.5	1.8	1.8	1.7	1.7	1.6	1.4	1.4	1.4
	35	J ₁	Kgcm ²	10.5	10	10	9.9	9.9	9.6	9.5	2.1	2.1	2	2	1.9	1.8	1.8	1.7

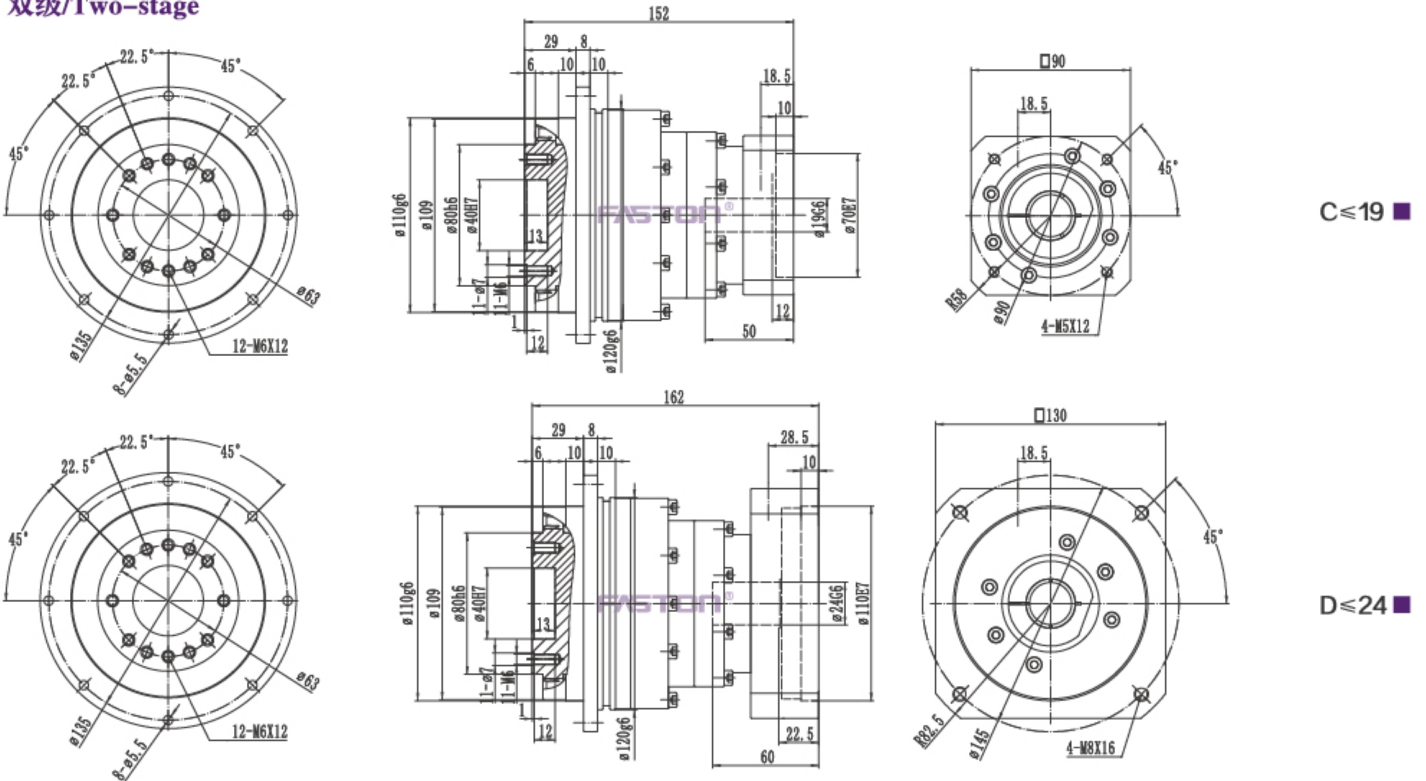
1. 可选其他减速比
2. 输出轴中心点
3. 连续运转时, 使用寿命为10000h
4. 对温度有特殊要求请与法斯頓联系

1. Optional other ratio
2. Output shaft center point
3. Service life of 10000h in continuous operation
4. For special requirements on temperature, please contact FASTON

单级/One-stage



双级/Two-stage



- (1) 请参照马达轴径尺寸
 - (2) 马达轴最长长度, 如有特殊的马达轴尺寸, 请与法斯顿联系
 - (3) 减速机输入端尺寸, 依马达的法兰面而定
- *如无适合的尺寸, 请与法斯顿联系

- (1) Please refer to the motor shaft diameter
 - (2) Motor shaft length, for special motor shaft size, please contact FASTON
 - (3) Reducer input size, depending on the flange surface of the motor
- *If no suitable size available, please contact FASTON

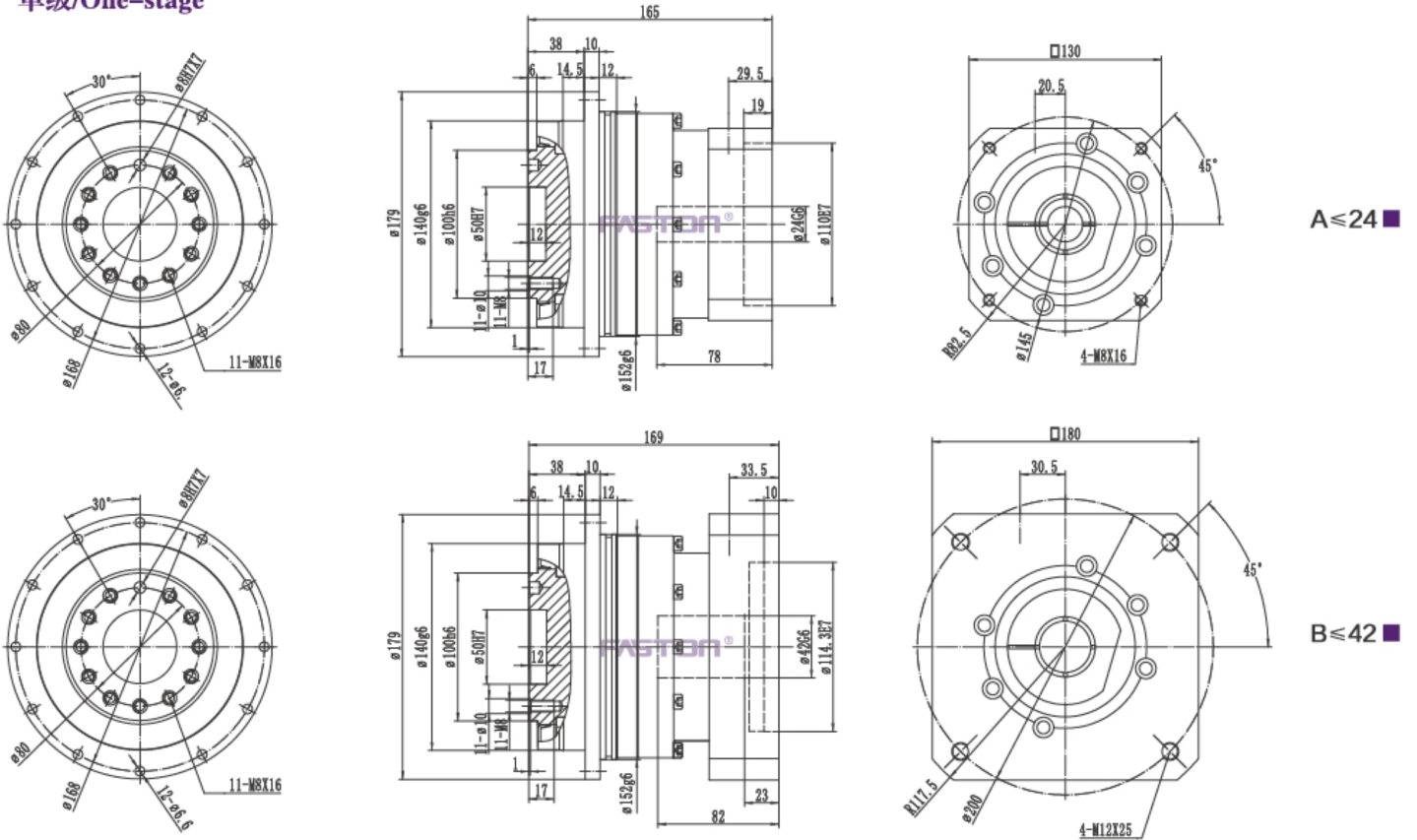
FKD142			单级/One-stage							双级/Two-stage								
速比 ⁽¹⁾ Speed ratio	i		4	5	6	7	8	9	10	16	20	25	35	40	50	70	100	
额定输出力矩(n_{1N}) Rated output torque	T_{2N}	Nm	542	650	550	550	500	450	450	542	542	650	550	542	650	550	450	
紧急制动力矩 Emergency braking torque (在减速机使用寿命内允许1000次) (1000 times during the working life of the reducer)	T_{2NOT}	Nm	3倍额定输出力矩/3 Times rated output torque															
额定输入转速(T_{2N} , 20°C环境温度) Rated input speed (T_{2N} , 20 °C ambient temperature)	n_{1N}	rpm	3000															
最大输入转速 Maximum input speed	n_{1max}	rpm	6000															
空载力矩($n_l=3000rpm$, 20°C环境温度) No-load torque ($n_l=3000 RPM$, 20°C ambient temperature)	T_{012}	Nm	6	4.7	4.5	3.5	2.5	2.5	2.5	2.8	2.6	2.2	2.0	1.9	1.8	1.6	1.5	
回程间隙PS Backlash PS	j_t	Arcmin	≤1							≤2								
回程间隙P0 Backlash P0	j_t	Arcmin	≤2							≤3								
回程间隙P1 Backlash P1	j_t	Arcmin	≤3							≤5								
回程间隙P2 Backlash P2	j_t	Arcmin	≤5							≤7								
扭转刚度 Torsional stiffness	C_{121}	Nm/Arcmin	50															
最大轴向力 ⁽²⁾ Maximum axial force	F_{2AMax}	N	10590															
最大倾侧力矩 Maximum bending torque	F_{2RMax}	Nm	1300															
工作效率 Work efficiency	η	%	97							94								
工作寿命 ⁽³⁾ Service life	L_h	h	20000															
噪音($i=10$ 和 $n_l=3000rpm$, 空载) Noise($i=10$ and $n_l=3000rpm$, no load)	L_{PA}	DB(A)	≤65															
重量 Weight	m	Kg	16							20								
安装方向 Installation direction			任意方向/Any direction															
使用温度 ⁽⁴⁾ Operating temperature		°C	-10~90															
润滑方式 Lubrication method			终生润滑/Lifetime lubrication															
防护等级 Protection level			IP65															
转动惯量 Moment of inertia 按减速机输入直径(mm) Input diameter based on the reducer (mm)	19	J_1	Kgcm ²	8	8	7.2	7	6.5	5.8	5.5	2.2	2	1.7	1.7	1.6	14	14	14
	24	J_1	Kgcm ²	12	11	10	10	9.5	9.5	9	3.2	3	2.9	2.7	2.5	2.3	2.2	2
	35	J_1	Kgcm ²	25	24.5	24.1	23.5	23	22.5	22	12	11	10	10	9.5	9.5	9	9

1. 可选其他减速比
2. 输出轴中心点
3. 连续运转时, 使用寿命为10000h
4. 对温度有特殊要求请与法斯頓联系

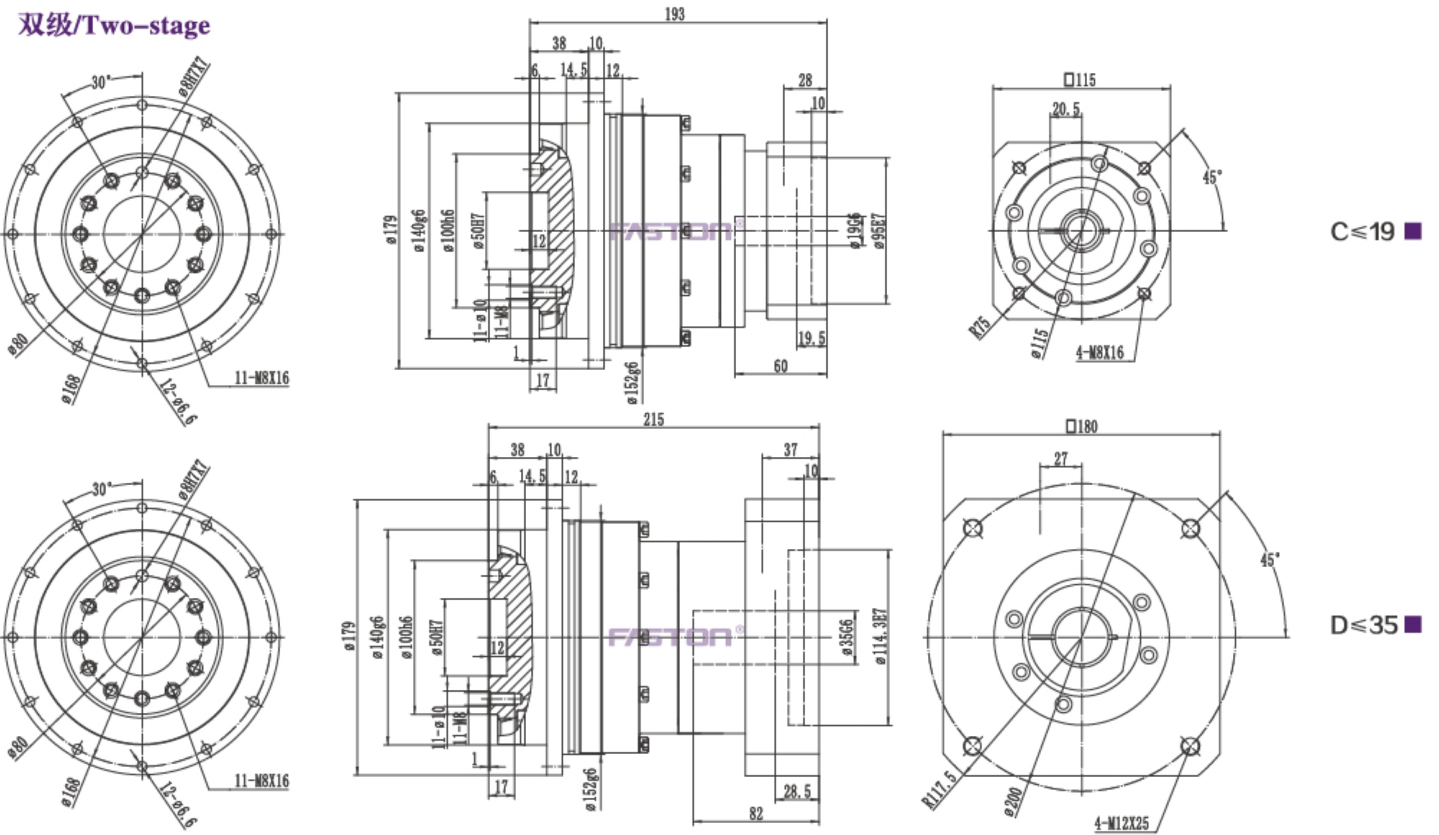
1. Optional other ratio
2. Output shaft center point
3. Service life of 10000h in continuous operation
4. For special requirements on temperature, please contact FASTON

减速机性能资料 REDUCER PERFORMANCE DATA

单级/One-stage



双级/Two-stage



- (1) 请参照马达轴径尺寸
 - (2) 马达轴最长长度, 如有特殊的马达轴尺寸, 请与法斯頓联络
 - (3) 减速机输入端尺寸, 依马达的法兰面而定
- *如无适合的尺寸, 请与法斯頓联系

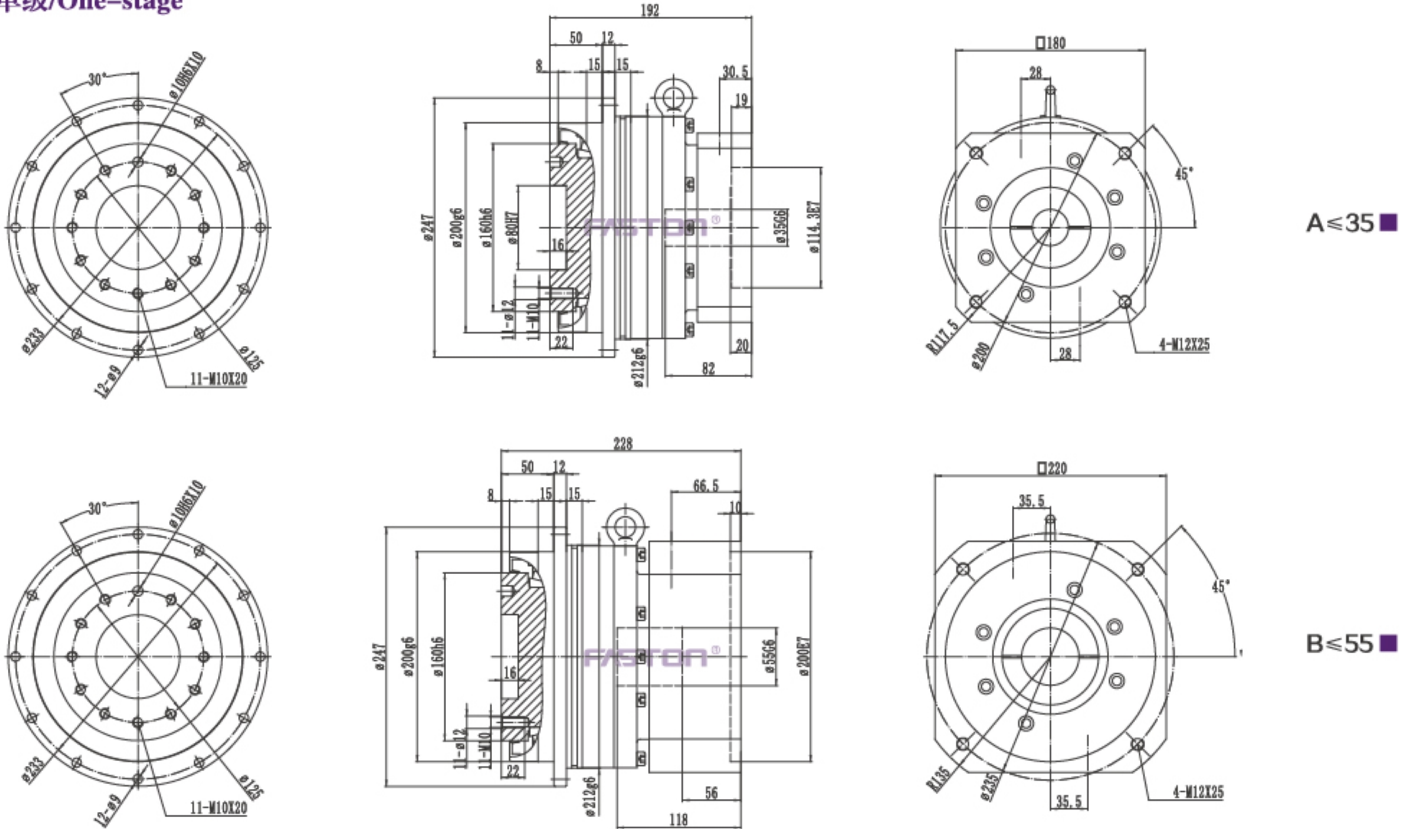
- (1) Please refer to the motor shaft diameter
 - (2) Motor shaft length, for special motor shaft size, please contact FASTON
 - (3) Reducer input size, depending on the flange surface of the motor
- *If no suitable size available, please contact FASTON

FKD200			单级/One-stage							双级/Two-stage								
速比 ⁽¹⁾ Speed ratio	i		4	5	6	7	8	9	10	16	20	25	35	40	50	70	100	
额定输出力矩(n _{1N}) Rated output torque	T _{2N}	Nm	1050	1200	1100	1100	1000	900	900	1050	1050	1200	1100	1020	1200	1100	900	
紧急制动力矩 Emergency braking torque (在减速机工作寿命内允许1000次) (1000 times during the working life of the reducer)	T _{2NOT}	Nm	3倍额定输出力矩/3 Times rated output torque															
额定输入转速(T _{2n} , 20°C环境温度) Rated input speed (T _{2n} , 20 °C ambient temperature)	n _{1N}	rpm	3000															
最大输入转速 Maximum input speed	n _{1max}	rpm	6000															
空载力矩(n ₁ =3000rpm, 20°C环境温度) No-load torque (n ₁ =3000 RPM, 20 °C ambient temperature)	T ₀₁₂	Nm	13	12	11	9	7.5	6.5	5.5	2.8	2.6	2.2	2.0	1.9	1.8	1.6	1.5	
回程间隙PS Backlash PS	j _t	Arcmin	≤1							≤2								
回程间隙P0 Backlash P0	j _t	Arcmin	≤2							≤3								
回程间隙P1 Backlash P1	j _t	Arcmin	≤3							≤5								
回程间隙P2 Backlash P2	j _t	Arcmin	≤5							≤7								
扭转刚度 Torsional stiffness	C _{t21}	Nm/Arcmin	145															
最大轴向力 ⁽²⁾ Maximum axial force	F _{2AMax}	N	30000															
最大倾侧力矩 Maximum bending torque	F _{2RMax}	Nm	3100															
工作效率 Work efficiency	η	%	97							94								
工作寿命 ⁽³⁾ Service life	L _h	h	20000															
噪音(i=10和n ₁ =3000rpm, 空载) Noise(i=10 and n ₁ =3000rpm, no load)	L _{PA}	DB(A)	≤67															
重量 Weight	m	Kg	31							39								
安装方向 Installation direction			任意方向/Any direction															
使用温度 ⁽⁴⁾ Operating temperature	°C		-10~90															
润滑方式 Lubrication method			终生润滑/Lifetime lubrication															
防护等级 Protection level			IP65															
转动惯量 Moment of inertia 按减速机输入直径(mm) Input diameter based on the reducer(mm)	35	J ₁	Kgcm ²	35	30	25	23	22	20	19	9	8.8	8.2	7.9	7.5	6.8	6.2	5.5
	42	J ₁	Kgcm ²	41	37	36	35	32	30	28	11.4	10.9	10.2	9.8	9.7	9.3	9.0	8.5
	55	J ₁	Kgcm ²	50	44	42	40	38	36	36	12.1	11	10.5	10.2	10	9.9	9.8	9.5

1. 可选其他减速比
2. 输出轴中心点
3. 连续运转时, 使用寿命为10000h
4. 对温度有特殊要求请与法斯頓联系

1. Optional other ratio
2. Output shaft center point
3. Service life of 10000h in continuous operation
4. For special requirements on temperature, please contact FASTON

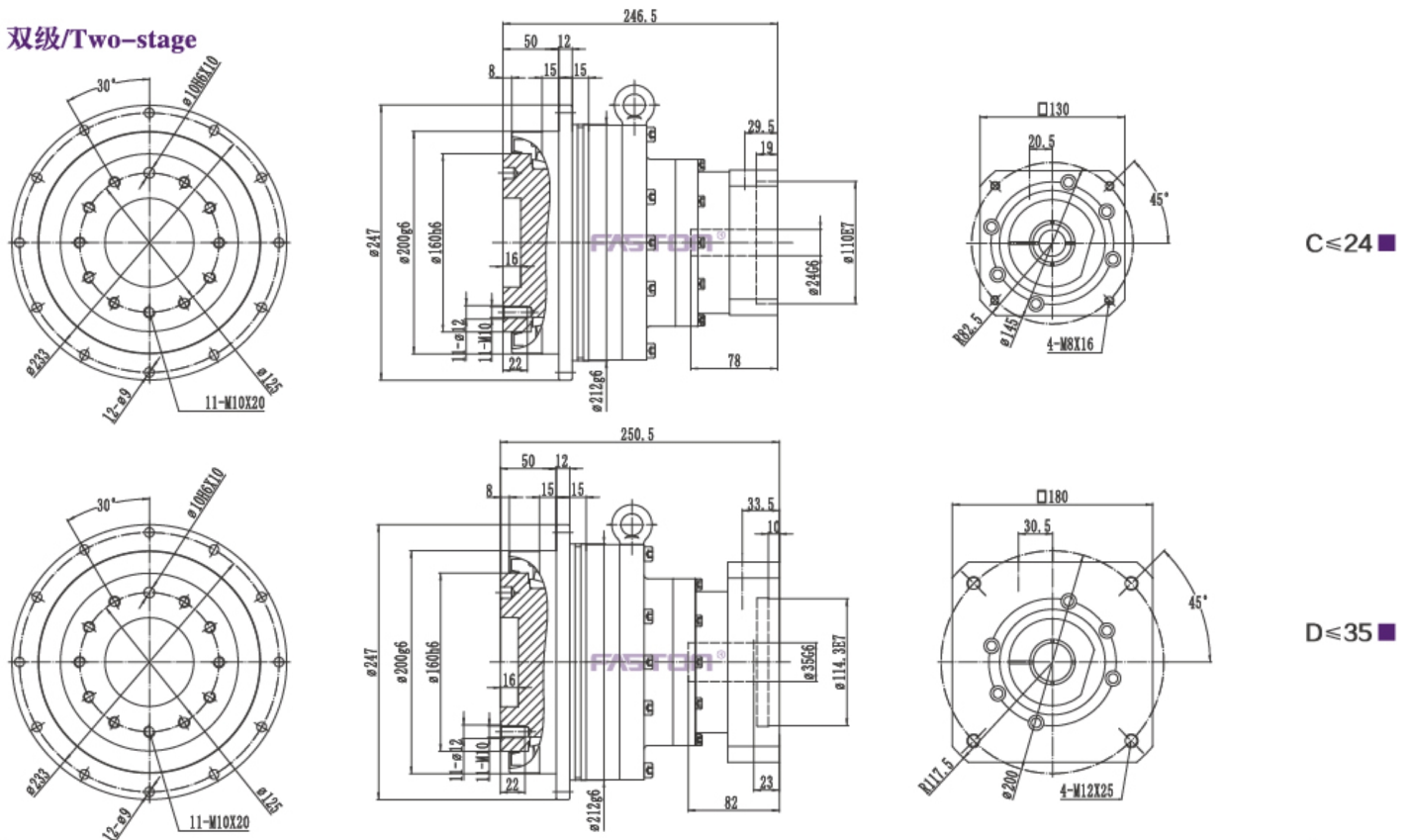
单级/One-stage



A ≤ 35 ■

B ≤ 55 ■

双级/Two-stage



C ≤ 24 ■

D ≤ 35 ■

(1) 请参照马达轴径尺寸
 (2) 马达轴最长长度, 如有特殊的马达轴尺寸, 请与法斯顿联络
 (3) 减速机输入端尺寸, 依马达的法兰面而定
 *如无适合的尺寸, 请与法斯顿联系

(1) Please refer to the motor shaft diameter
 (2) Motor shaft length, for special motor shaft size, please contact FASTON
 (3) Reducer input size, depending on the flange surface of the motor
 *If no suitable size available, please contact FASTON

FKD255			单级/One-stage							双级/Two-stage								
速比 ⁽¹⁾ Speed ratio	i		4	5	6	7	8	9	10	16	20	25	35	40	50	70	100	
额定输出力矩(n_{1N}) Rated output torque	T_{2N}	Nm	1700	2000	1800	1800	1600	1500	1500	1700	1700	2000	1800	1700	2000	1800	1500	
紧急制动力矩 (在减速机工作寿命内允许1000次) (1000 times during the working life of the reducer)	T_{2NOT}	Nm	3倍额定输出力矩/3 Times rated output torque															
额定输入转速(T_{2N} , 20°C环境温度) Rated input speed (T_{2N} , 20 °C ambient temperature)	n_{1N}	rpm	2000															
最大输入转速 Maximum input speed	n_{1max}	rpm	4000															
空载力矩($n_1=3000rpm$, 20°C环境温度) No-load torque ($n_1=3000 RPM$, 20°C ambient temperature)	T_{012}	Nm	22	17	8	6	5	4.5	3.5	11	11	9	9	8	7	6.8	5	
回程间隙PS Backlash PS	j_t	Arcmin	≤ 1							≤ 2								
回程间隙P0 Backlash P0	j_t	Arcmin	≤ 2							≤ 3								
回程间隙P1 Backlash P1	j_t	Arcmin	≤ 3							≤ 5								
回程间隙P2 Backlash P2	j_t	Arcmin	≤ 5							≤ 7								
扭转刚度 Torsional stiffness	C_{121}	Nm/Arcmin	225															
最大轴向力 ⁽²⁾ Maximum axial force	F_{2AMax}	N	30000															
最大倾侧力矩 Maximum bending torque	F_{2RMax}	Nm	5900															
工作效率 Work efficiency	η	%	97							94								
工作寿命 ⁽³⁾ Service life	L_h	h	20000															
噪音($i=10$ 和 $n_1=3000rpm$, 空载) Noise($i=10$ and $n_1=3000rpm$, no load)	L_{PA}	DB(A)	≤ 70															
重量 Weight	m	Kg	48							62								
安装方向 Installation direction			任意方向/Any direction															
使用温度 ⁽⁴⁾ Operating temperature	°C		-10-90															
润滑方式 Lubrication method			终生润滑/Lifetime lubrication															
防护等级 Protection level			IP65															
转动惯量 Moment of inertia 按减速机输入直径(mm) Input diameter based on the reducer (mm)	42	J_1	Kgcm ²	70	68	65	55	52	45	40	16	15.5	14	14	13	12	10.8	9.5
	55	J_1	Kgcm ²	95	77	75	68	65	60	55	28	27	26.5	25.5	24	23	21	19.5

1. 可选其他减速比

2. 输出轴中心点

3. 连续运转时, 使用寿命为10000h

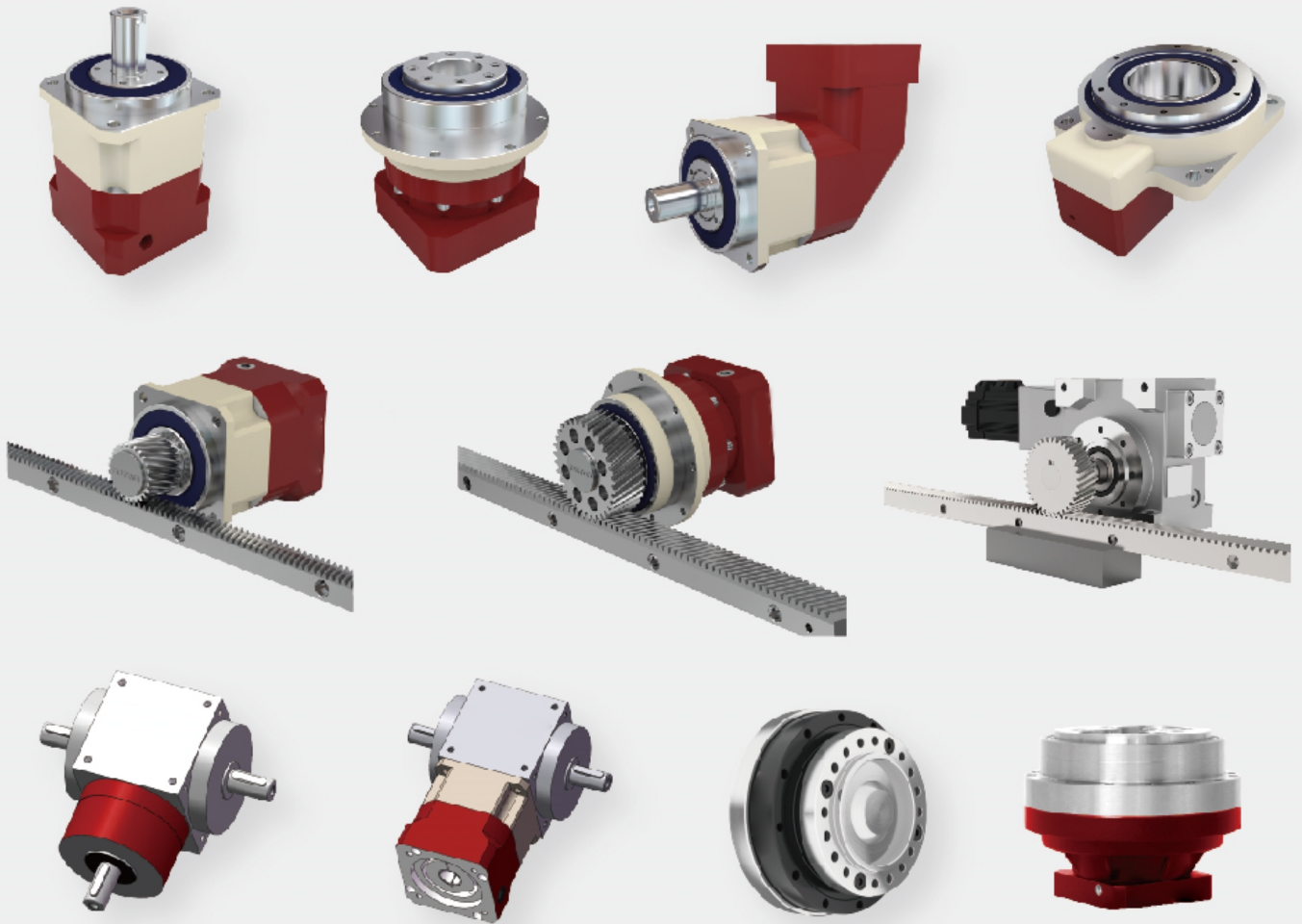
4. 对温度有特殊要求请与法斯頓联系

1. Optional other ratio

2. Output shaft center point

3. Service life of 10000h in continuous operation

4. For special requirements on temperature, please contact FASTON



東莞公司
Dongguan Company

東莞市精杰機電有限公司
地址：廣東省東莞市樟木頭石新東城四街23號
電話：13549217001 / 400-028-8380
聯系人：江先生13802379590
網址：www.jingjielw.com

Dongguan Jingjie Electromechanical Co., Ltd
Address: No.23, Xindongcheng Fourth Street, Zhangmutou, Dongguan, Guangdong Province
Tel: 13549217001/400-028-8380
Contact person: Mr. Jiang 13802379590
Website: www.jingjielw.com



惠州公司
Huizhou Company

精杰機電（惠州）公司
地址：廣東惠州仲愷高新區陳江大道南19號
華廷悅府6棟1104室
電話：13549217001 / 400-028-8380
聯系人：劉小姐13802397290
網址：www.jingjielw.com

Jingjie Electromechanical (Huizhou) Co., Ltd
Address: No. 19, Chenjiang Avenue South, Zhongkai High tech Zone, Huizhou, Guangdong Room 1104, Building 6, Huating Yuefu
Tel: 13549217001/400-028-8380
Contact: Miss Liu 13802397290
Website: www.jingjielw.com



精杰機電有限公司

Jingjie Electromechanical Co., Ltd

廣東省東莞市樟木頭石新東城四街23號

廣東省惠州仲愷高新區陳江大道南19號

華廷悅府6棟1104室

電話：13549217001 / 400-028-8380

聯系人：江先生13802379590

劉小姐13802397290

網址：www.jingjielw.com

廣東省東莞市樟木頭石新東城四街23號

廣東省惠州仲愷高新區陳江大道南19號

華廷悅府6棟1104室

電話：13549217001 / 400-028-8380

聯系人：江先生13802379590

劉小姐13802397290

網址：www.jingjielw.com

精杰機電有限公司

Jingjie Electromechanical Co., Ltd

廣東省東莞市樟木頭石新東城四街23號

廣東省惠州仲愷高新區陳江大道南19號

華廷悅府6棟1104室

電話：13549217001 / 400-028-8380

聯系人：江先生13802379590

劉小姐13802397290

網址：www.jingjielw.com

精杰機電有限公司

Jingjie Electromechanical Co., Ltd

廣東省東莞市樟木頭石新東城四街23號

廣東省惠州仲愷高新區陳江大道南19號

華廷悅府6棟1104室

電話：13549217001 / 400-028-8380

聯系人：江先生13802379590

劉小姐13802397290

網址：www.jingjielw.com